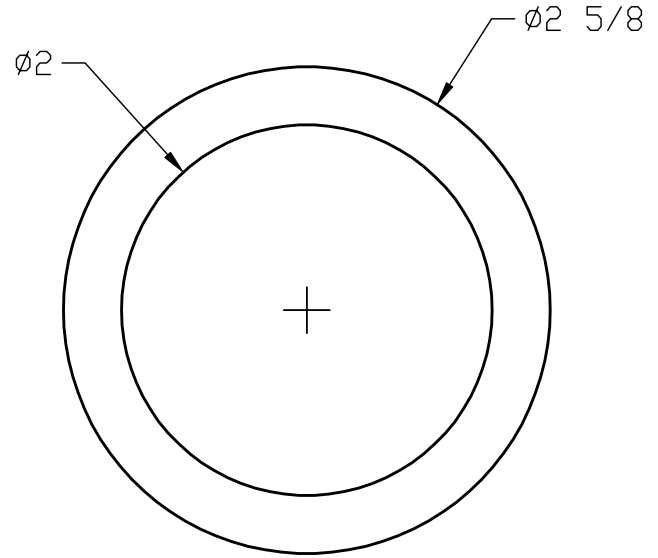
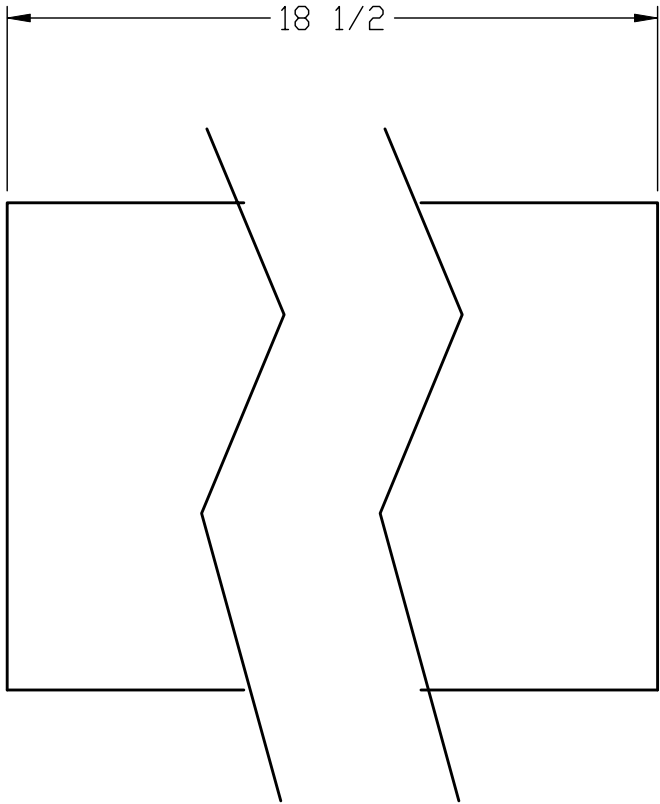


SALES DRAWING

SALES DRAWING



A	REH	8-2-11	CHANGED MATERIAL TO BLACK EPDM
REV	BY	DATE	DESCRIPTION
SALCO PRODUCTS, INC.			2D
DRAWN BY: ACC		CHKD BY:	SCALE: 1:1
APPROVAL DATE: 9-28-01			
MATERIAL: BLACK EPDM			
PART NAME: HOSE 2 X 18 1/2 EPDM			
PROJECT #010910		PROTOTYPE AND DATE:	APPROVED FOR PRODUCTION: ACC
DRAWING #: A16196		PART #: H2185R	

UNLESS OTHERWISE SPECIFIED DIMENSIONAL TOLERANCES	
FRACTIONAL	±1/16
X.XX	±0.03
X.XXX	±0.015
ANGULAR	±1°
THIS PRINT, PROPERTY OF SALCO PRODUCTS INC., CONTAINS PROPRIETARY INFORMATION AND MUST NOT BE COPIED, REPRODUCED, OR USED DETRIMENTALLY TO OUR INTEREST.	
THIRD ANGLE PROJECTION	